

Fuse Holder Covers

Specifications:

- Material, Thermoplastic
- Thermal Rating, 125° C (RT1, per UL 746)
- Flammability, VO (per UL 94)
- UL Listed Accessories Under File No. E181825
- In Application, Protection is Consistent With IEC Standard 529, Designation IP2 (finger safe)*
- Opening Allows View of Self-Indicating Fuses
- Holes for Test Probes and Re-tightening of Wire Terminations
- Covers Fit Most Fuse Holder Brands

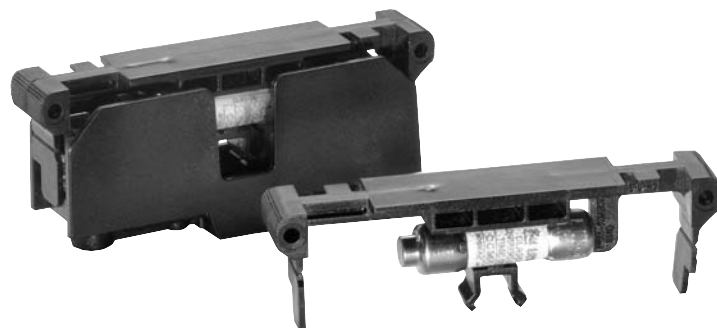
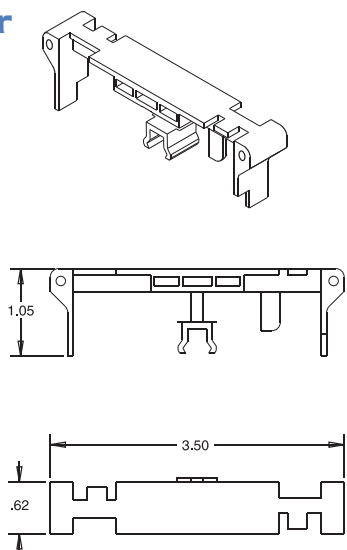


Catalog#:	For Use W/Fuse Holder#:	Fuse Type:	Voltage:	Amp:
CHR230	F30A/R30A	H/R	250	30
CHR260	F60A/R60A	H/R	250	60
CHR2100	RF100A/R100A	H/R	250	100
CHR630	6F30A/6R30A	H/R	600	30
CHR660	6F60A/6R60A	H/R	600	60
CHR6100	R6F100A/6R100A	H/R	600	100
CJ630	6J30A	J	600	30
CJ660	6J60A	J	600	60
CC630	6CC30	CC	600	30
CC660	6CC60	CD	600	60
CCM630**	6M30A/6CCM30A	MISC	600	30

* Applications involving fuse holders other than Marathon may not provide IP2 finger protection.

** Covers are recognized if used with recognized fuses.

Cover/Puller (CVR-MCC)



Marathon's Cover/Puller was designed for use with the Class CC (30A), Midget and Class G (15 & 20 amp only) fuse holders. Once installed, the Cover/Puller provides an easy and safe way to remove fuses. In application, protection is consistent with IEC Standard 529, designation IP2 (finger safe).

Fuse Holder Covers

Catalog Name	Figure	A	B	C	D	E	F
CHR230	Fig 1	3.76	1.67	0.86	2.54	0.40	0.30
CHR260	Fig 1	5.80	2.16	1.07	3.66	0.47	0.42
CHR2100	Fig 2	7.38	2.41	1.49	4.90	0.38	0.46
CHR630	Fig 1	7.56	1.71	1.10	5.58	0.47	0.42
CHR660	Fig 1	8.30	2.37	1.35	6.32	0.35	0.42
CHR6100	Fig 2	9.34	2.45	1.49	6.90	0.38	0.46
CJ630	Fig 1	4.30	1.95	0.90	2.66	0.35	0.30
CJ660	Fig 1	5.04	2.07	1.35	3.10	0.35	0.42
CC630	Fig 3	3.83	1.69	0.74	2.34	0.34	0.30
CC660	Fig 1	4.58	1.95	0.90	2.66	0.35	0.42
CCM630	Fig 3	3.83	1.69	0.74	2.34	0.34	0.30

MM = Dim X 25.4

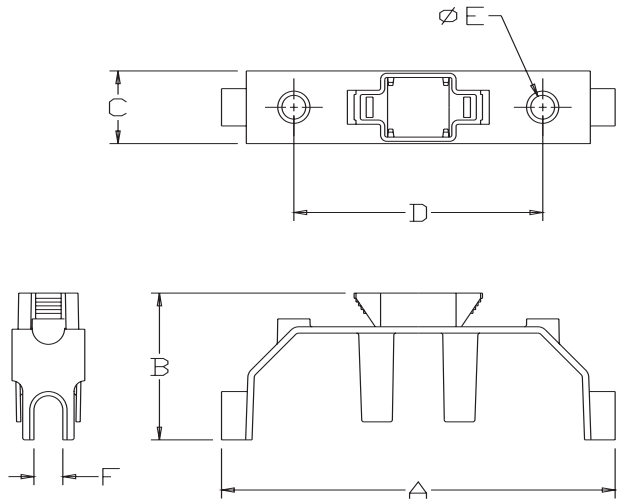


Figure 1:

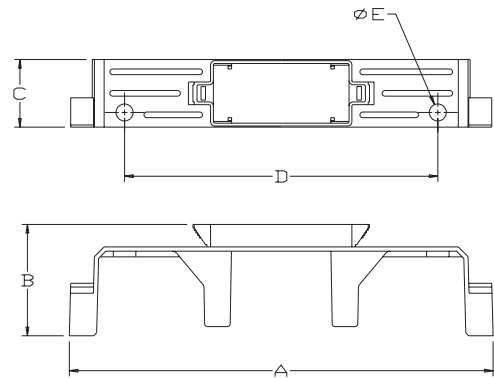


Figure 3:

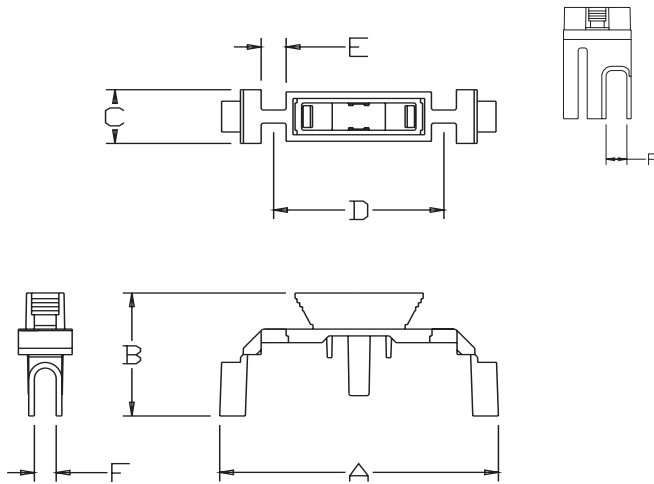


Figure 2:

DIN Rail Adapter

Accessory to Secure Surface Mount Devices on DIN Rail:

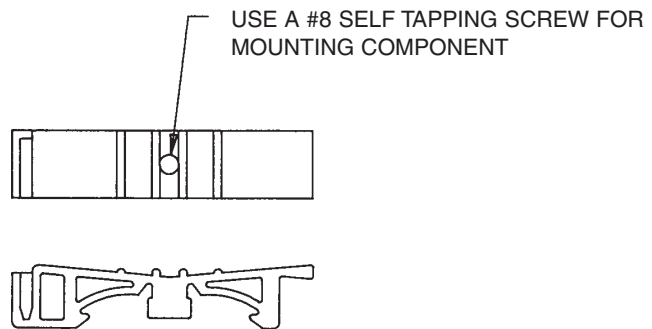
- DIN Adapter is Made of Acetal Resin Material
- High Mechanical Strength and Rigidity
- Good Resilience and Resistance to Creep
- Excellent Dimensional Stability
- Excellent Low Temperature Toughness
- Wide End-Use Temperature Range



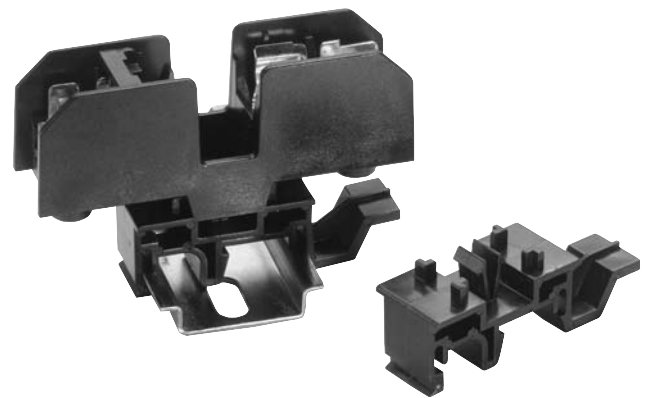
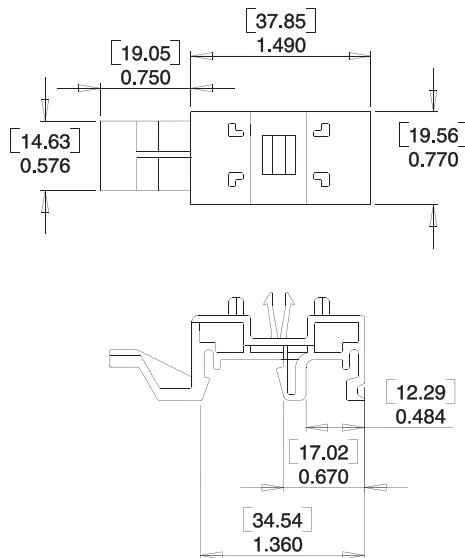
Assembly Method:

- Press Adapter onto Rail, Fasten Component with #8 Self Tapping Screw (Screw Not Supplied)
- Assembly Locks Firmly onto DIN Rail
- The Adapter will Work with 140 Series, M Fuse Holder, Class G, Class CC, Class H 250A 30A, Class R 250V 30A Holders
- Consult Factory for Others

Catalog Number	Standard Package
DIN R-1	10



Class CC, G and Midget Fuse Holder Accessories



DIN Rail Adapter (Catalog# DIN R-2)

This adapter is for use with the Class CC (30A), Midget and Class G fuse holders. The DIN R-2 snaps securely to the Marathon fuse holders and to DIN rails without tools. This permits the holders to mount directly to standard and low profile 35mm symmetrical and 32mm asymmetrical DIN rails. They may be removed from rails by lifting the disconnect tab.